



Download from
Dreamstime.com

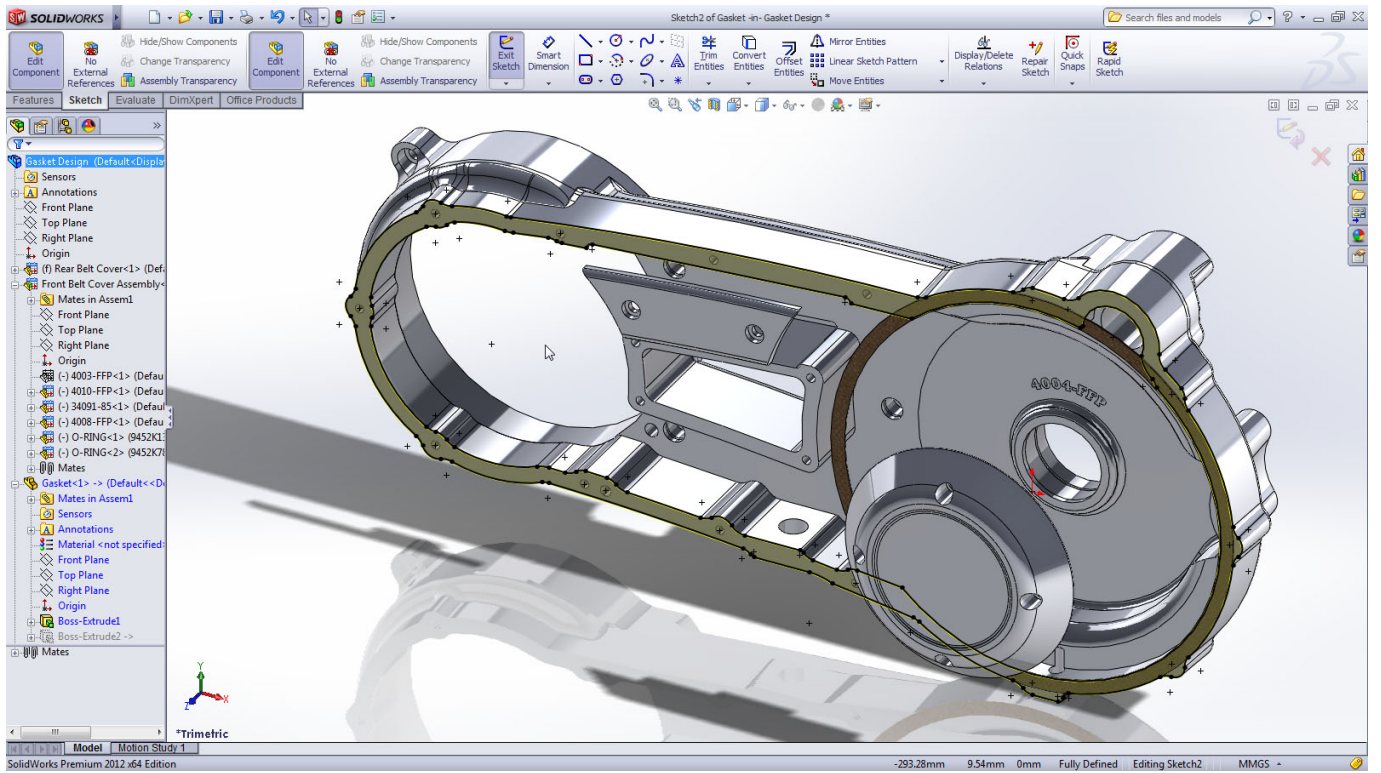
This watermarked comp image is for previewing purposes only.



ID 2468711

© Milan Surkala | Dreamstime.com

[Solidworks 2010 Sp3](#)



[Solidworks 2010 Sp3](#)



Download from
Dreamstime.com

This watermarked comp image is for previewing purposes only.



ID 2468711

© Milan Surkala | Dreamstime.com

Alternatively, you can log into SOLIDWORKS customer portal and click Download software and updates to access the update.. It good news, but before you start and update your operating system, it always a good idea to check if your company software is compatible or if an upgrade is coming soon.

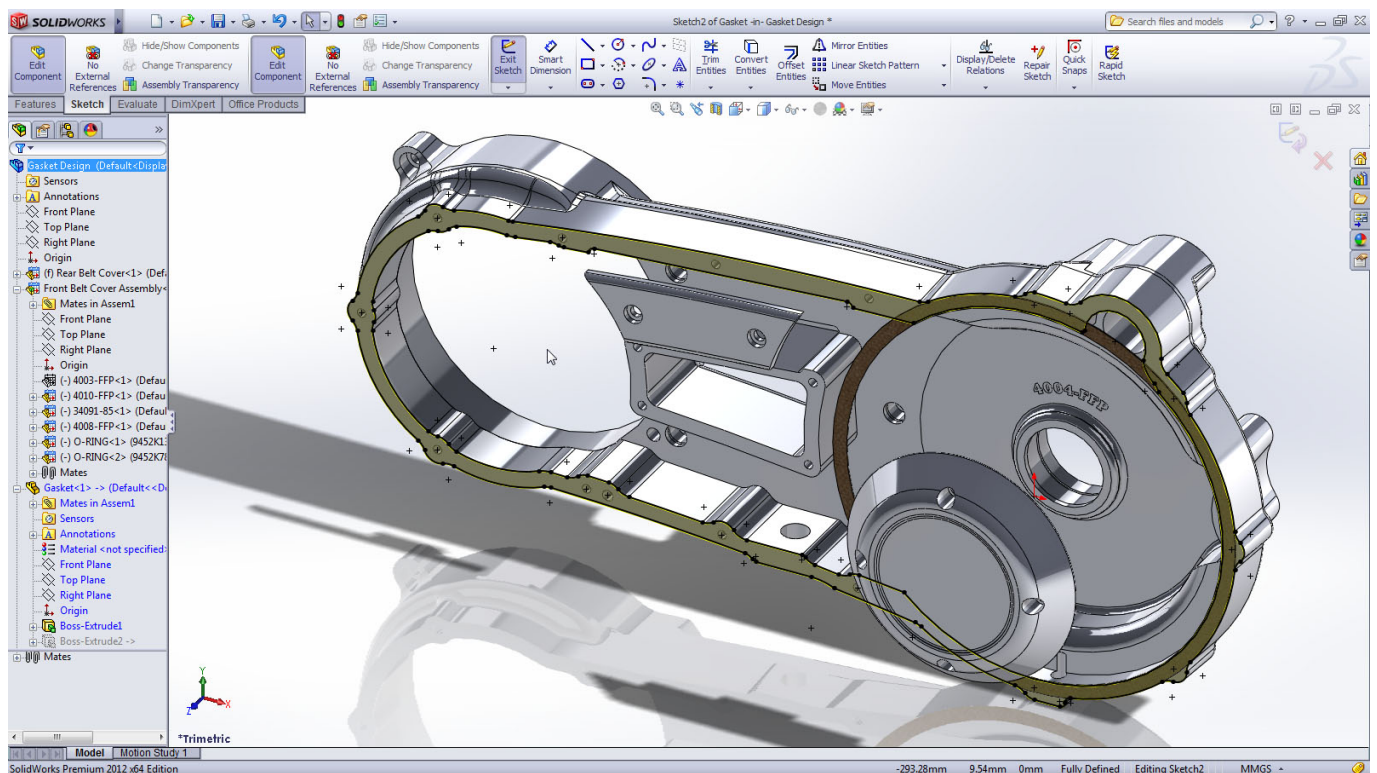
1. [solidworks download](#)
2. [solidworks free](#)
3. [solidworks mac](#)

This policy applies to trademarks, websites, apps, advertising services, products, services, or technologies (we collectively) refer to them as services.. If you use apps, websites, or other third-party products that are integrated with our services, they may collect information about your activities in accordance with their own Terms of Service.. Unless otherwise stated, and if you do not cancel your subscription before the free trial ends, you will be charged a regular subscription fee to the current rat at the end of the trial period and continue to be charged until your subscription has been canceled.. If one or more dimensions are selected, a dimension palette button appears above and to the right of the mouse pointer instead.. You may terminate the use of the Services at any time but your continued use or subscription to a Service after the entry into force of any changes to the Terms, or that means you agree to the changed terms.

solidworks download

solidworks download, solidworks, solidworks price, solidworks logo, solidworks free, solidworks mac, solidworks student, solidworks 2019, solidworks tutorial, solidworks certification, solidworks 2020, solidworks 2021, solidworks flow simulation [Vcenter Vs Vsphere](#)

Compared with the total number of users, most PCs run Windows 7 (SP1) and Windows XP operating systems.. At the end of each subscription period for such paid services, we automatically renew your subscription and charge the credit card or other payment method you have provided to us unless you cancel your subscription at least 48 hours before the end of the current period. [Realtek realtek For Mac](#)



[Download Google Maps For Mac Desktop](#)

solidworks free

[Audiocorder 5.5.0 Free Download For Mac](#)

SOLIDWORKS 2017 Resources Find what you need in our resource page Learn about what new in SOLIDWORKS 2017, including technical tips, demonstrations, and upcoming product webs. [Codesoft Thermal Receipt Printer Driver](#)

solidworks mac

[Construction Schedule Template Excel For Mac](#)

Therefore, SolidWorks authorities must pay much more attention to the testing process than to implement some useless features.. He is Engineers and Designs, Marketing Manager for Luxion, CSWP is Certified for SolidWorks Training and Support, and is characterized by difficult cases.. Integrated Solutions SolidWorks is based on advanced hybrid parametric modeling technologies and a wide range of specialized modules.. Solidworks is the core of an integrated set of enterprise automation, through product lifetime support, in accordance with the concept of CALS technology s, including bidirectional data exchange with other Windows applications and the creation of electronic documentation.. SolidWorks is at the heart of integrated enterprise automation that enables product lifecycle support in line with the concept of CALS technologies, including bidirectional exchange of data with other Windows-based applications and creation of electronic documentation..

SOLIDWORKS 2017 Resources Visit our resource page for everything you need to learn about SOLIDWORKS 2017, including technical tips, demonstrations, and upcoming product webs.. You can review and control certain types of information related to your Eid account using the privacy controls.. You may not use any trademarks or logos used in the Services unless you have given you a separate written written permission.. You agree that if you start application fee-based service before expiration of the notice period, you are responsible for all charges to date of cancellation.. Once created, a parametric process in the future can be reused, which reduces pre-production, improves the reliability of the developed programs, unites the style of technological development, the use of guarantees only the best technologies for processing and ensure the independence of human factor production. cea114251b [Wavearts Power Suite 5 Serial](#)

cea114251b

[Varma Kalai Books In Tamil Pdf Free](#)